

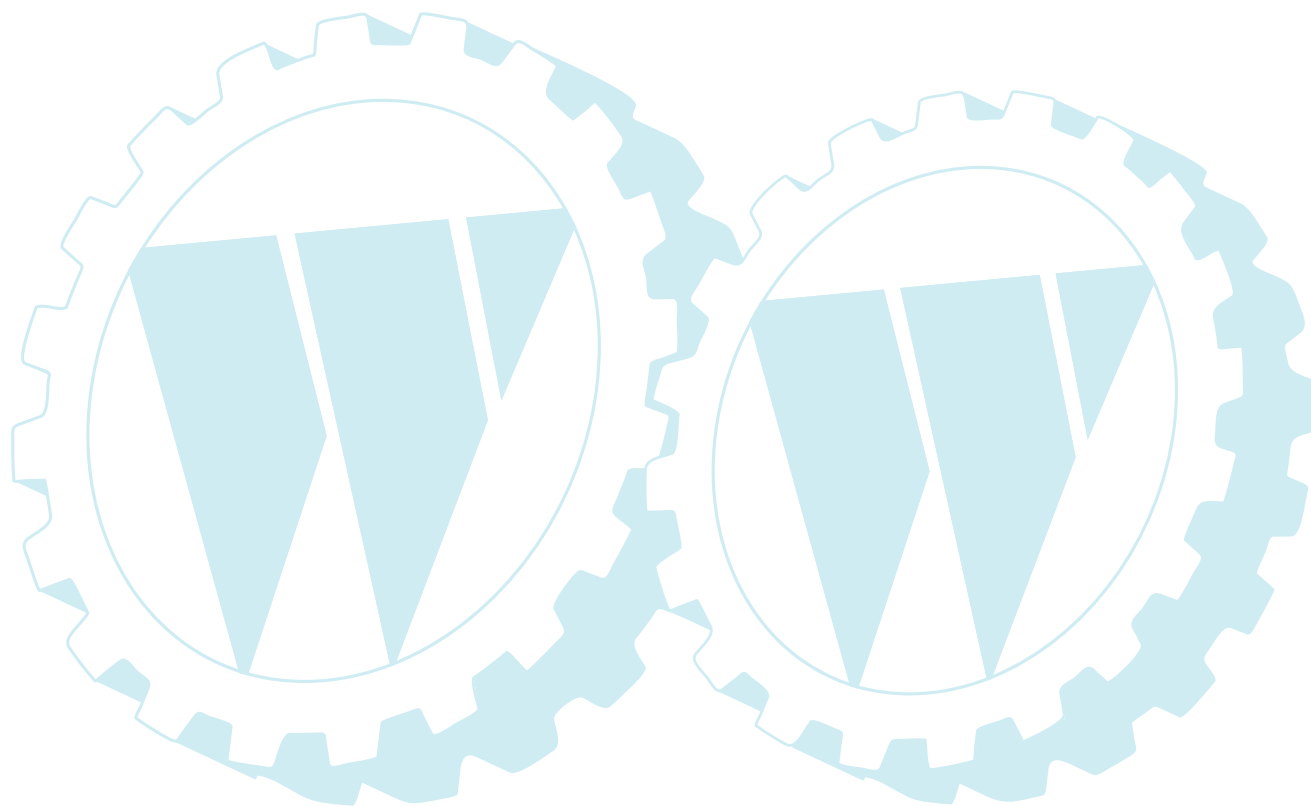
ILLUSTRATED PARTS BREAKDOWN

BERNARD

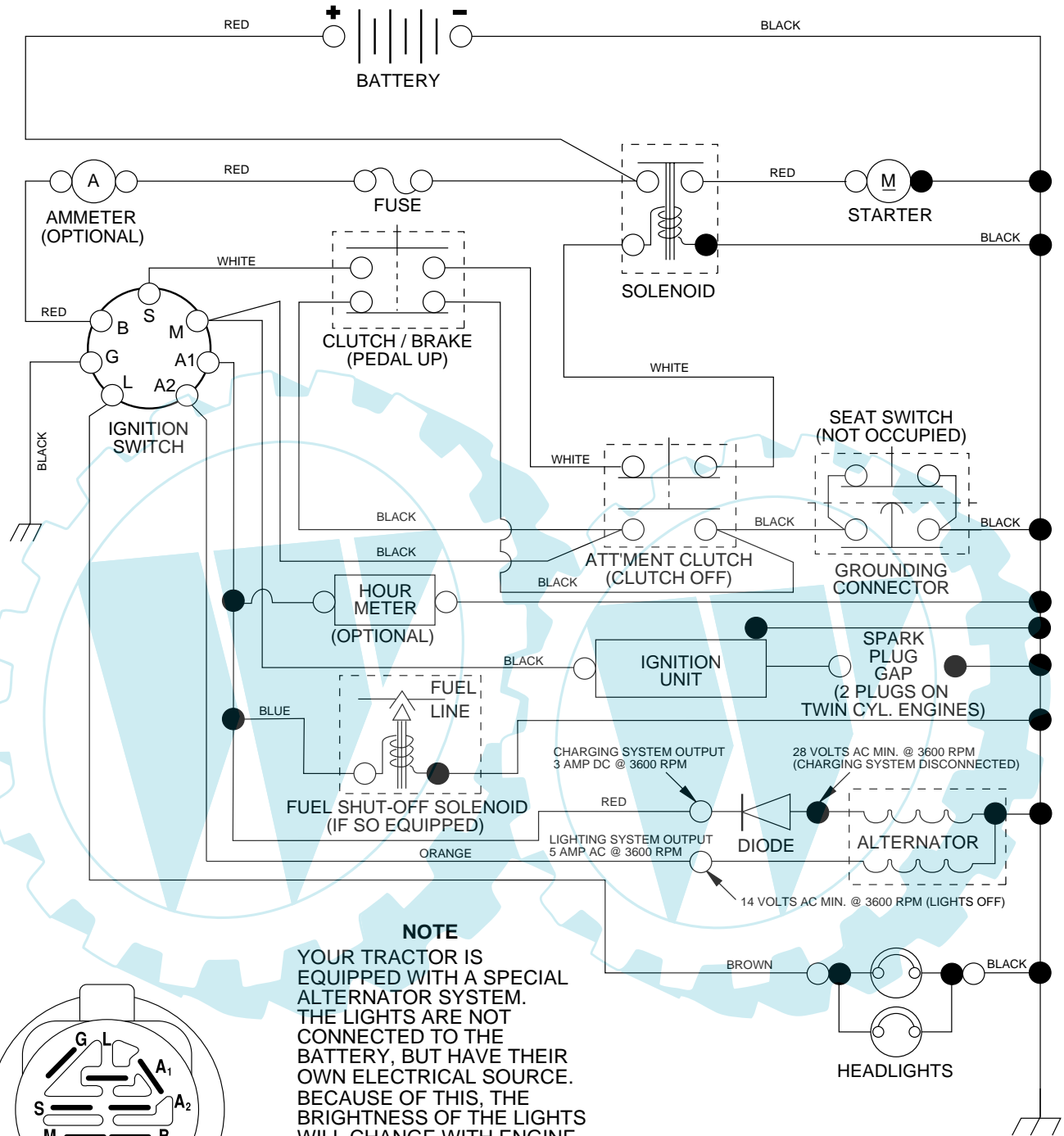
15.5 HP LAWN TRACTOR

MODEL NO. BL155107SBHK (BL155H107B)

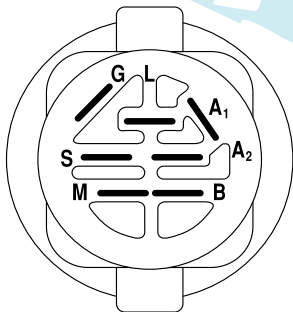
964 77 08-01



**TRACTOR - MODEL NO. BL155107SBHK (BL155H107B), PRODUCT NO. 964 77 08-01
SCHEMATIC**



NOTE
YOUR TRACTOR IS EQUIPPED WITH A SPECIAL ALTERNATOR SYSTEM. THE LIGHTS ARE NOT CONNECTED TO THE BATTERY, BUT HAVE THEIR OWN ELECTRICAL SOURCE. BECAUSE OF THIS, THE BRIGHTNESS OF THE LIGHTS WILL CHANGE WITH ENGINE SPEED. AT IDLE THE LIGHTS WILL DIM. AS THE ENGINE IS SPEEDED UP, THE LIGHTS WILL BECOME THEIR BRIGHTEST.

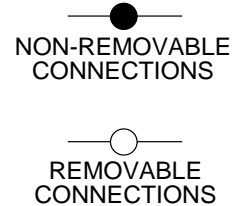


IGNITION SWITCH

POSITION	CIRCUIT	"MAKE"
OFF	M+G+A1	NONE
RUN/LIGHT	B+A1	A2+L
RUN	B+A1	NONE
START	B + S + A1	NONE

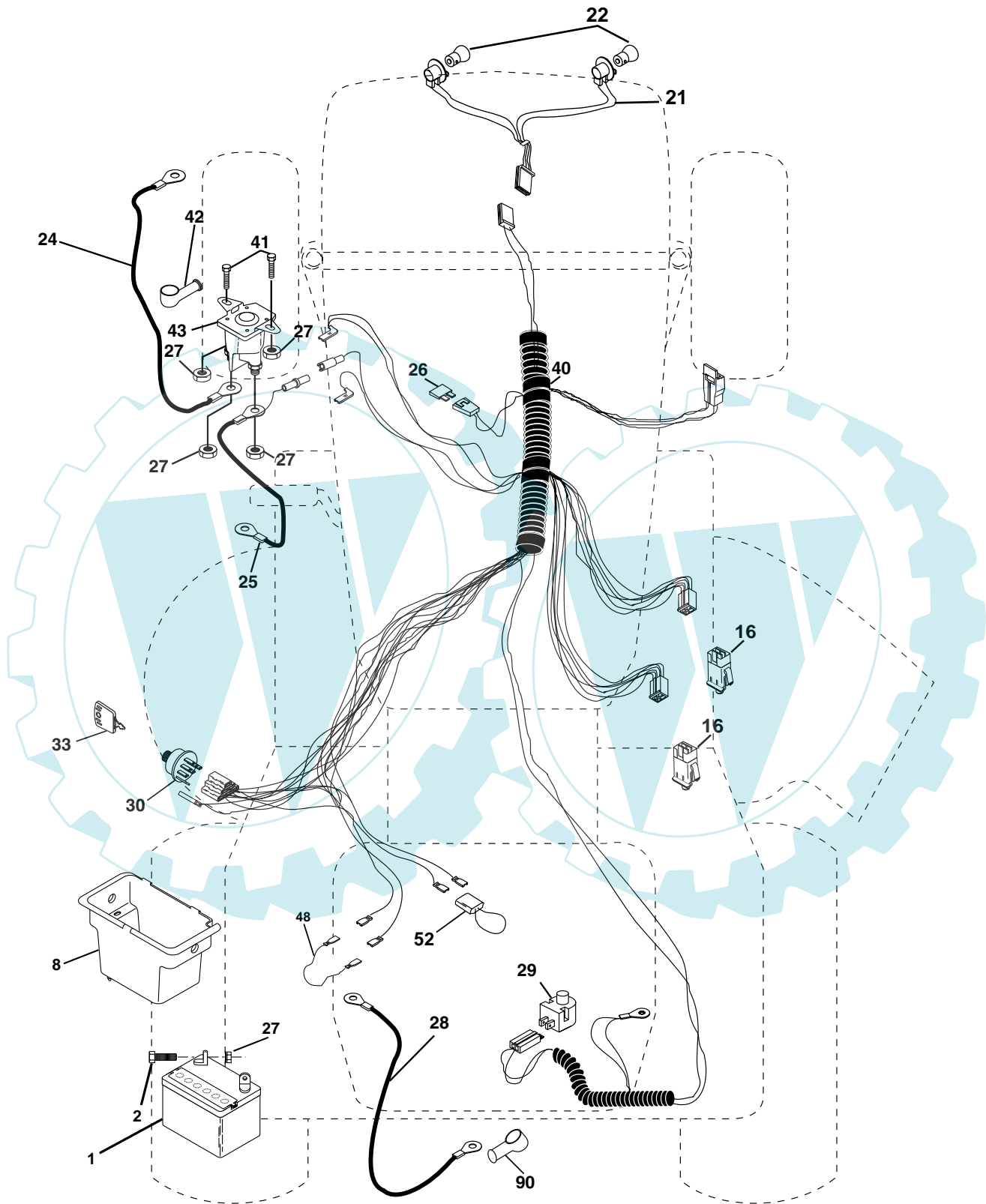
WIRING INSULATED CLIPS

NOTE: IF WIRING INSULATED CLIPS WERE REMOVED FOR SERVICING OF UNIT, THEY SHOULD BE REPLACED TO PROPERLY SECURE YOUR WIRING.



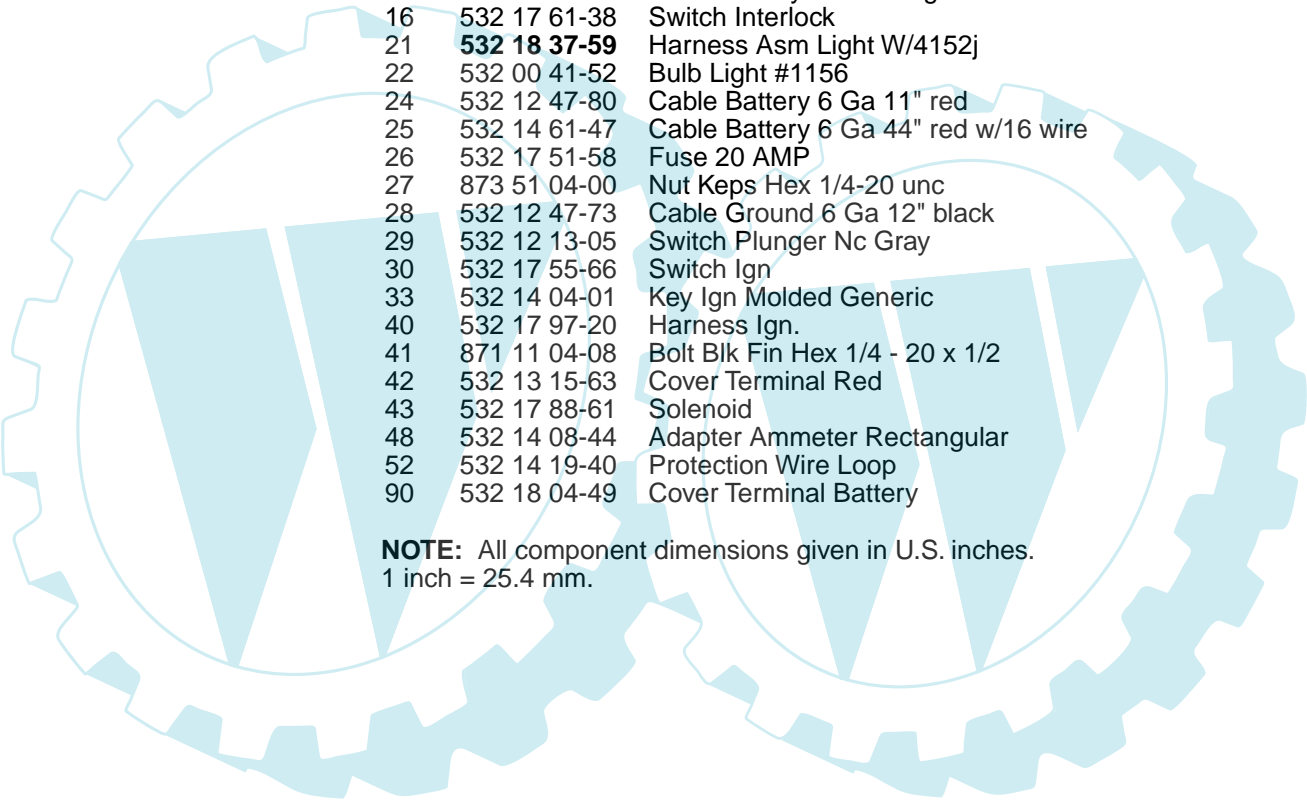
REPAIR PARTS

TRACTOR - MODEL NO. BL155107SBHK (BL155H107B), PRODUCT NO. 964 77 08-01
ELECTRICAL



REPAIR PARTS

TRACTOR - MODEL NO. BL155107SBHK (BL155H107B), PRODUCT NO. 964 77 08-01
ELECTRICAL

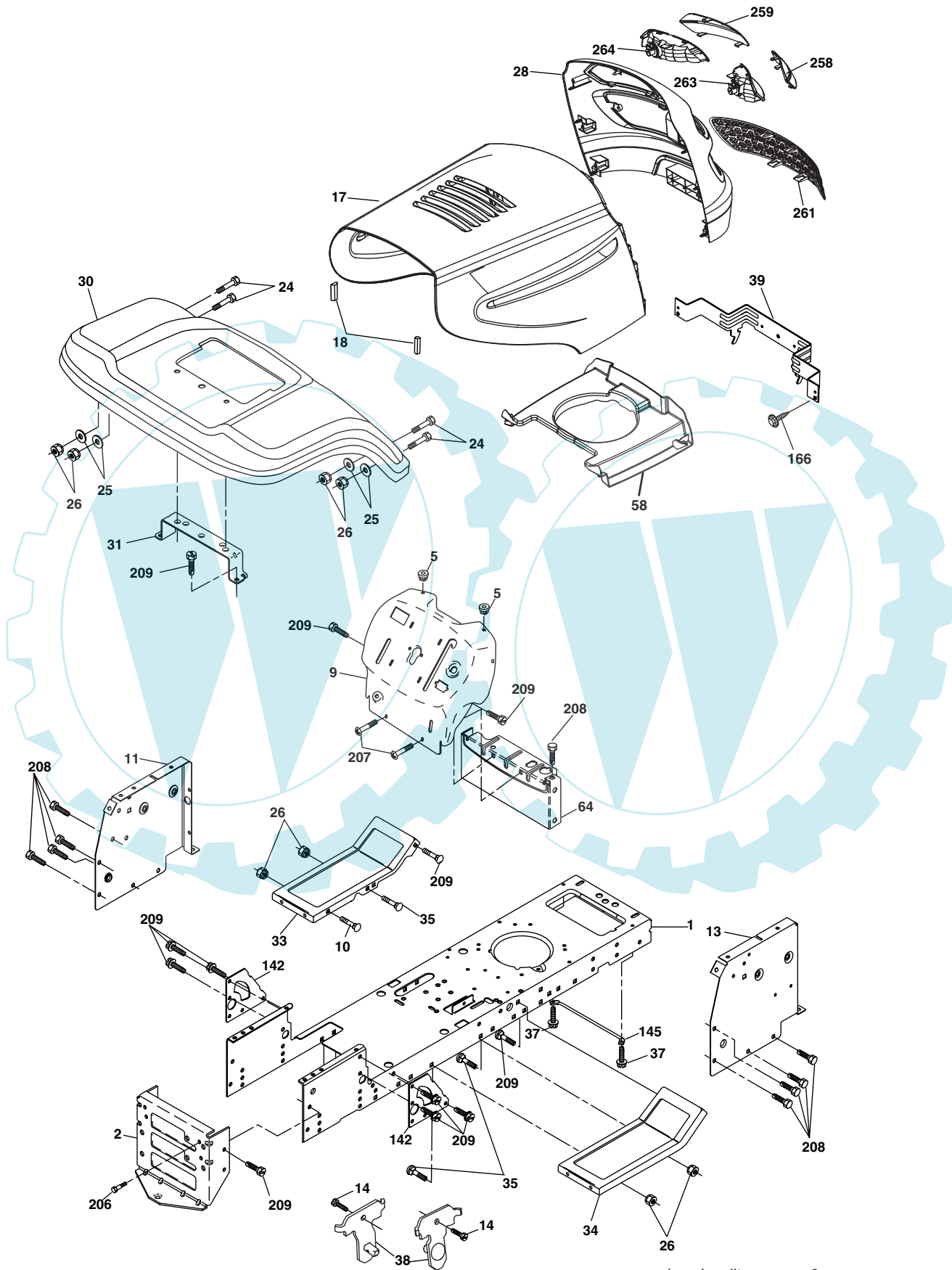


KEY NO.	PART NO.	DESCRIPTION
1	532 16 34-65	Battery
2	874 76 04-12	Bolt Hex Hd 1/4-20 unc x 3/4
8	532 17 66-89	Case Battery Mech Hinge
16	532 17 61-38	Switch Interlock
21	532 18 37-59	Harness Asm Light W/4152j
22	532 00 41-52	Bulb Light #1156
24	532 12 47-80	Cable Battery 6 Ga 11" red
25	532 14 61-47	Cable Battery 6 Ga 44" red w/16 wire
26	532 17 51-58	Fuse 20 AMP
27	873 51 04-00	Nut Keps Hex 1/4-20 unc
28	532 12 47-73	Cable Ground 6 Ga 12" black
29	532 12 13-05	Switch Plunger Nc Gray
30	532 17 55-66	Switch Ign
33	532 14 04-01	Key Ign Molded Generic
40	532 17 97-20	Harness Ign.
41	871 11 04-08	Bolt Blk Fin Hex 1/4 - 20 x 1/2
42	532 13 15-63	Cover Terminal Red
43	532 17 88-61	Solenoid
48	532 14 08-44	Adapter Ammeter Rectangular
52	532 14 19-40	Protection Wire Loop
90	532 18 04-49	Cover Terminal Battery

NOTE: All component dimensions given in U.S. inches.
1 inch = 25.4 mm.

REPAIR PARTS

TRACTOR - MODEL NO. BL155107SBHK (BL155H107B), PRODUCT NO. 964 77 08-01
CHASSIS AND ENCLOSURES



chassis_elite sv_pro_9

REPAIR PARTS

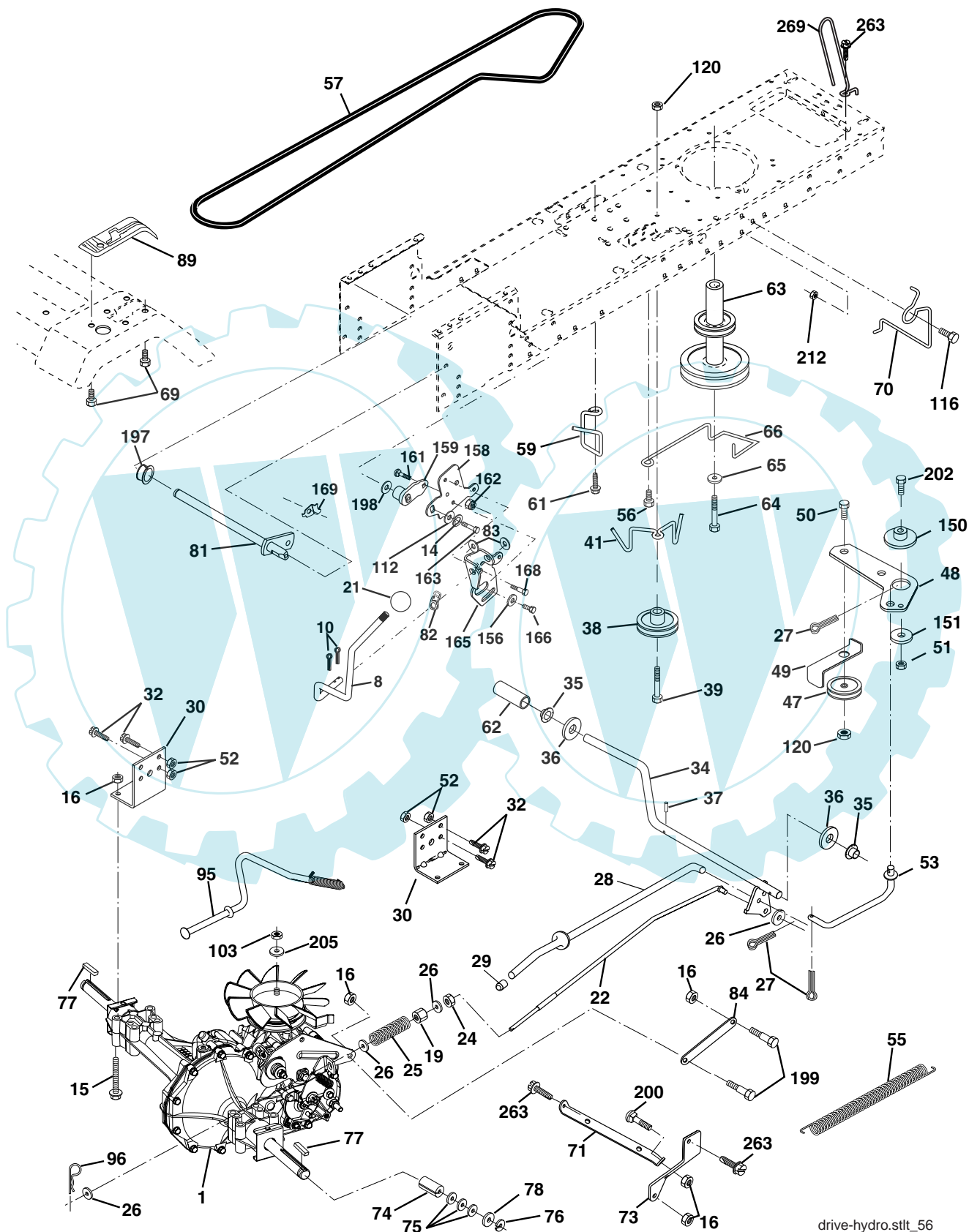
TRACTOR - MODEL NO. BL155107SBHK (BL155H107B), PRODUCT NO. 964 77 08-01
CHASSIS AND ENCLOSURES

KEY NO.	PART NO.	DESCRIPTION
1	532 17 46-19	Chassis Stamping
2	532 17 65-54	Drawbar, 12 Ga.
5	532 15 52-72	Bumper Hood/Dash
9	532 18 52-74	Dash Silkscr
10	872 14 06-08	Bolt Carriage 3/8-16 x 1
11	532 17 49-96	Panel Dash Lh
13	532 18 69-52	Panel Dash Rh
14	817 49 06-08	Screw Thdrol 3/8-16 x 1/2
17	532 18 58-47	Hood
18	532 12 39-38	Bumper Hood
24	874 78 06-16	Bolt Fin Hex 3/8-16unc x 1 Gr 5
25	819 13 13-12	Washer 13/32 X 13/16 X 12 Ga
26	873 80 06-00	Nut Lock Hex W/Ins 3/8-16 Unc
28	532 18 97-48	Grille
29	532 18 27-17	Lens P/L
30	532 17 30-26	Fender Footrest LTST Pnt
31	532 13 66-19	Bracket Fender
33	532 18 30-81	Footrest Pnt Lh
34	532 18 30-80	Footrest Pnt Rh
35	872 11 06-06	Bolt Rdhd Sht Sqnk 3/8-16 x 3/4
37	817 49 05-08	Screw Thdrol 6/16-18 x 1/2 TYT
38	532 17 57-10	Bracket Asm Pivot Mower Rear
39	532 17 47-14	Bracket Pivot Laser
58	532 15 01-27	Duct Air Engine
64	532 15 47-98	Dash Lower STLT
142	532 17 57-02	Plate Reinforcement STLT
145	532 15 65-24	Rod Pivot Chassis/Hood
166	532 17 18-75	Screw HwHd Hi-Lo #13-16 x 3/4
206	532 17 01-65	Bolt Shoulder 5/16-18 TT
207	817 67 05-08	Screw Thdrol 5/16-18 x 1/2
208	817 67 06-08	Screw Thdrol 3/8-16x1/2 Ty-tt
209	817 00 06-12	Screw Hex Wsh Thdr. 3/8-16 x 3/4
258	532 18 97-55	Lens Grille RH
259	532 18 97-54	Lens Grille LH
261	532 18 97-53	Insert Grille
263	532 18 38-33	Bezel Grille RH
264	532 18 38-32	Bezel Grille LH

NOTE: All component dimensions given in U.S. inches
1 inch = 25.4 mm

REPAIR PARTS

TRACTOR - MODEL NO. BL155107SBHK (BL155H107B), PRODUCT NO. 964 77 08-01 DRIVE



drive-hydro.stlt_56

REPAIR PARTS

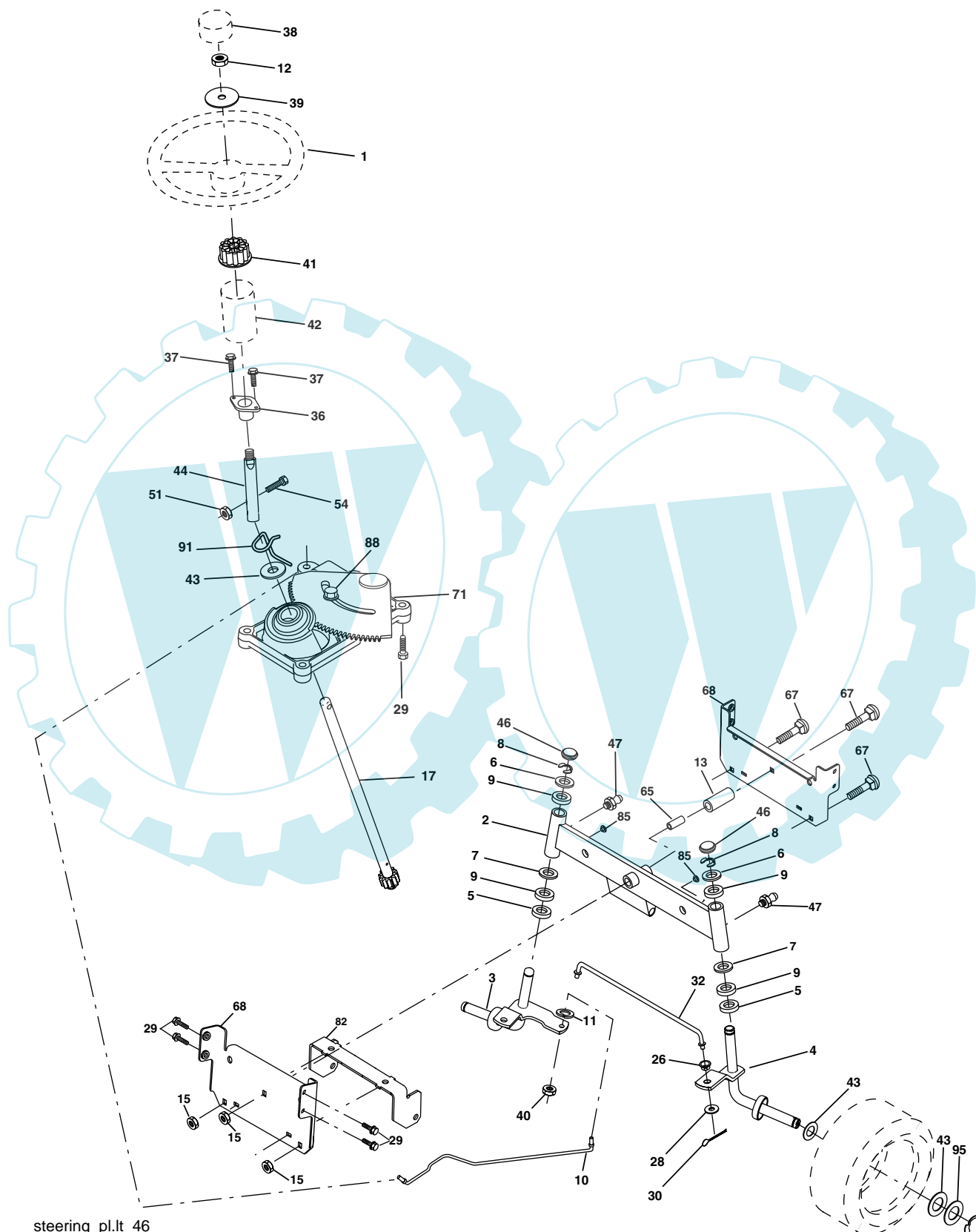
TRACTOR - MODEL NO. BL155107SBHK (BL155H107B), PRODUCT NO. 964 77 08-01
DRIVE

KEY NO.	PART NO.	DESCRIPTION	KEY NO.	PART NO.	DESCRIPTION
1	-----	Transaxle Hydro Gr Model 322-0510 (Order parts from transaxle mfg.)	71	532 16 91-83	Strap Torque Lh Hydro
8	532 16 56-19	Rod Shift Fender	73	532 16 91-82	Strap Torque Rh Hydro
10	876 02 04-16	Pin Cotter 1/8 x 1 CAD	74	532 13 70-57	Spacer, Axle
14	810 04 04-00	Washer Lock Hvy Helical 1/4	75	532 12 17-49	Washer 25/32 x 1-1/4 x 16 Ga.
15	874 49 05-44	Bolt Hex Flg Hd 5/16-18 X Gr.5	76	812 00 00-01	E-Ring
16	873 80 05-00	Nut Lock Hex W/Ins. 5/16-18 unc P	77	532 12 35-83	Key, Square
19	873 80 06-00	Nut Lock Hex W/Wsh 3/8-16 unc	78	532 12 17-48	Washer 25/32 x 1-5/8 x 16 Ga.
21	532 10 69-33	Knob, Deluxe	81	532 16 55-96	Shaft Asm. Cross Hydro
22	532 16 94-98	Rod, Brake Hydro	82	532 12 37-82	Spring Torsion T/A
24	873 35 06-00	Nut	83	819 17 12-16	Washer 17/32 x 3/4 x 16 Ga.
25	532 10 68-88	Spring, Brake Rod	84	532 16 98-43	Link Transaxle
26	819 13 13-16	Washer	89	532 17 30-29	Console, Shift
27	876 02 04-12	Pin Cotter 1/8 x 3/4 CAD.	95	532 17 02-01	Control Asm Bypass Hydro
28	532 17 57-65	Rod, Parking Brake	96	532 12 47-88	Retainer Spring 1" Zinc/Cad
29	532 07 16-73	Cap, Parking Brake	103	873 94 08-00	Nut Hex Jam Toplock 1/2-20 unf
30	532 17 49-73	Bracket, Transaxle	112	819 09 12-10	Washer 9/32 x 3/4 x 10 Ga.
32	874 76 05-12	Bolt Hex Hd 5/16-18 unc x 3/4	116	872 14 06-08	Boulon 3/8-16 x 1
34	532 17 55-78	Shaft, Foot Pedal	120	873 90 06-00	Nut Lock Flg 3/8-16
35	532 12 01-83	Bearing, Nylon	150	532 17 54-56	Spacer Retainer
36	819 21 16-16	Washer	151	819 13 32-10	Washer 13/32 x 2 x 10 Ga.
37	532 12 49-63	Pin, Roll	156	532 16 60-02	Washer Srrtd 5/16 ID x 1.0 x .125 Tk
38	532 17 91-14	Pulley, Composite	158	532 16 55-89	Bracket Shift Mount
39	872 11 06-22	Bolt	159	532 18 39-00	Hub Shift
41	532 17 55-56	Keeper, Belt Idler	161	872 14 04-06	Bolt Rdhd Sqnk 1/4-20 x 3/4 Gr. 5
47	532 12 77-83	Pulley, Idler, V-Groove	162	873 68 04-00	Nut Crownlock 1/4-20 unc
48	532 15 44-07	Bellcrank Clutch Grnd Drv Stl	163	874 78 04-16	Bolt Hex Fin 1/4-20 unc x 1 Gr. 5
49	532 12 32-05	Retainer, Belt	165	532 16 56-23	Bracket Pivot Lever
50	872 11 06-12	Bolt Carr. Sh 3/8-16 x 1-1/2 Gr. 5	166	817 49 05-10	Screw 5/16-18 x 5/8 TT Yellow
51	873 68 06-00	Nut	168	532 16 54-92	Bolt Shoulder 5/16-18 x .561 TT
52	873 68 05-00	Nut Crownlock 5/16-18	169	532 16 55-80	Plate Fastening Cross Shf. STLT/ CRD
53	532 10 57-10	Link, Clutch	197	532 16 96-13	Nyliner Snap-In 5/8" ID
55	532 10 57-09	Spring, Return, Clutch	198	532 16 95-93	Washer Nyl. 7/8 ID x .105"
56	817 06 06-20	Screw 3/8-16 x 1-1/4	199	532 16 96-12	Bolt Shoulder 5/16-18 Unc
57	532 14 02-94	V-Belt, Ground Drive	200	872 14 05-08	Bolt RdHd Sq Neck 5/16-18unc x 1
59	532 16 96-91	Keeper, Center Span	202	872 11 06-14	Bolt RdHd 3/8-16 x 1-3/4 Gr. 5
61	817 12 06-14	Screw 3/8-16 x .875	205	819 17 16-16	Washer 17/32 x 1 x 16 Ga.
62	532 12 48-72	Cover, Pedal	212	532 14 52-12	Nut Hex Flg Lock
63	532 18 02-19	Pulley, Eng	263	817 00 06-12	Screw Hex Wsh Thdr. 3/8-16 x 3/4
64	532 17 39-37	Bolt Hex 7/16-20 x 4 Ga. 5	269	532 18 24-02	Guard Muffler OHV B&S RH
65	810 04 07-00	Washer			
66	532 15 47-78	Keeper Belt Engine			
69	532 14 24-32	Screw Hex Wsh Hi-Lo 1/4-1/2 Unc			
70	532 18 02-18	Guide Belt Mower Drive RH			

NOTE: All component dimensions give in U.S. inches.
1 inch = 25.4 mm.

REPAIR PARTS

TRACTOR - MODEL NO. BL155107SBHK (BL155H107B), PRODUCT NO. 964 77 08-01
STEERING ASSEMBLY



steering_pl.lt_46

REPAIR PARTS

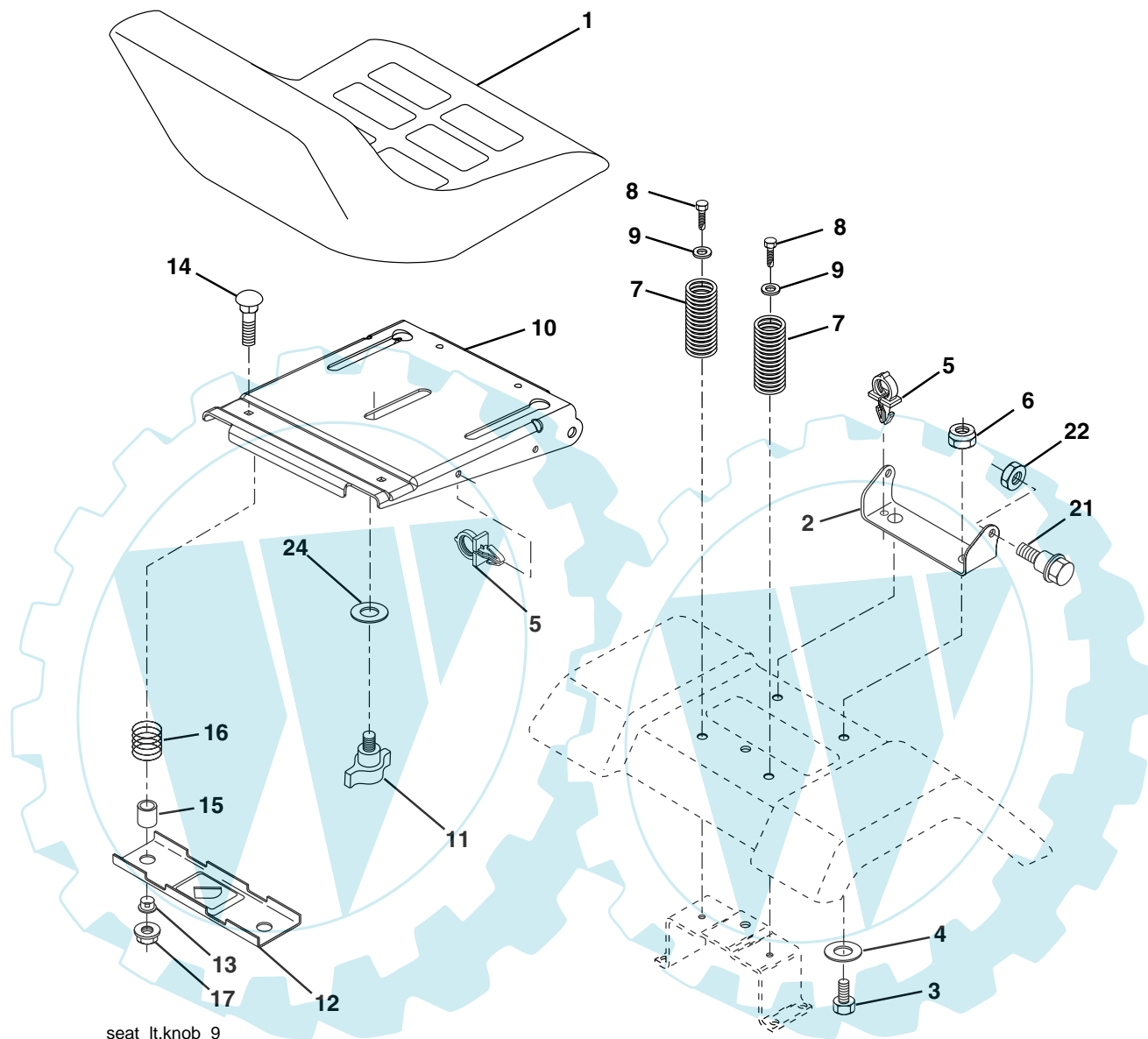
TRACTOR - MODEL NO. BL155107SBHK (BL155H107B), PRODUCT NO. 964 77 08-01
STEERING ASSEMBLY

KEY NO.	PART NO.	DESCRIPTION
1	532 18 59-58	Steering Wheel
2	532 17 51-31	Axle Assembly STMP Dropped STL
3	532 16 98-40	Spindle Assembly, L.H.
4	532 16 98-39	Spindle Assembly, R.H.
5	532 12 49-31	Bearing, Race, Thrust, Hardened
6	532 12 17-48	Washer 25/32 x 1-5/8 x 16 Gauge
7	819 27 20-16	Washer 27/32 x 1-1/4 x 16 Gauge
8	812 00 00-29	Ring, Klip
9	532 12 49-37	Bearing, Steering Column
10	532 17 51-21	Draglink Extended Stamped
11	810 04 06-00	Washer, Lock
12	873 94 08-00	Nut hex Jam Toplock 1/2-20 unf
13	532 13 65-18	Spacer Brg Axle Front
15	532 14 52-12	Hex Flange Lock
17	532 18 06-41	Shaft Assembly, Steering
26	532 12 68-47	Bushing, Link, Drag
28	819 13 14-16	Washer 13/32 x 7/8 x 16 Ga.
29	817 00 06-12	Screw, 3/8-16 x 3/4
30	876 02 04-12	Pin
32	532 13 04-65	Rod, Tie
36	532 15 50-99	Bushing, Steering
37	532 15 29-27	Screw
38	532 17 20-93	Insert, Steering Wheel
39	819 18 24-11	Washer 9/16 x 1/2 11 Ga
40	873 54 06-00	Nut Crownlock 3/8-24
41	532 15 99-45	Adaptor, Steering Wheel
42	532 16 96-33	Boot, Steering Shaft
43	532 12 17-49	Washer 25/32 x 1-1/4 x 16 Ga.
44	532 18 06-40	Extension Shaft Steering
46	532 12 12-32	Cap, Spindle
47	532 18 32-26	Fitting, Grease
51	873 54 04-00	Nut Crownlock 1/4-28
54	871 13 04-20	Bolt Hex 1/4-28 unf x 1-1/4 Gr. 8
65	532 16 03-67	Spacer Brace Axle
67	872 11 06-18	Bolt Rdhd Sq 3/8-16 x 2-1/4
68	532 16 98-27	Axle, Brace
71	532 17 51-46	Steering Asm
82	532 16 98-35	Bracket Susp Chassis Front
85	532 13 38-35	Fastner Christmas Tree
88	532 17 51-18	Screw 3/8-16 x 1
91	532 17 55-53	Clip Steering

NOTE: All component dimensions given in U.S. inches
1 inch = 25.4 mm

REPAIR PARTS

TRACTOR - MODEL NO. BL155107SBHK (BL155H107B), PRODUCT NO. 964 77 08-01
SEAT ASSEMBLY



seat_lt.knob_9

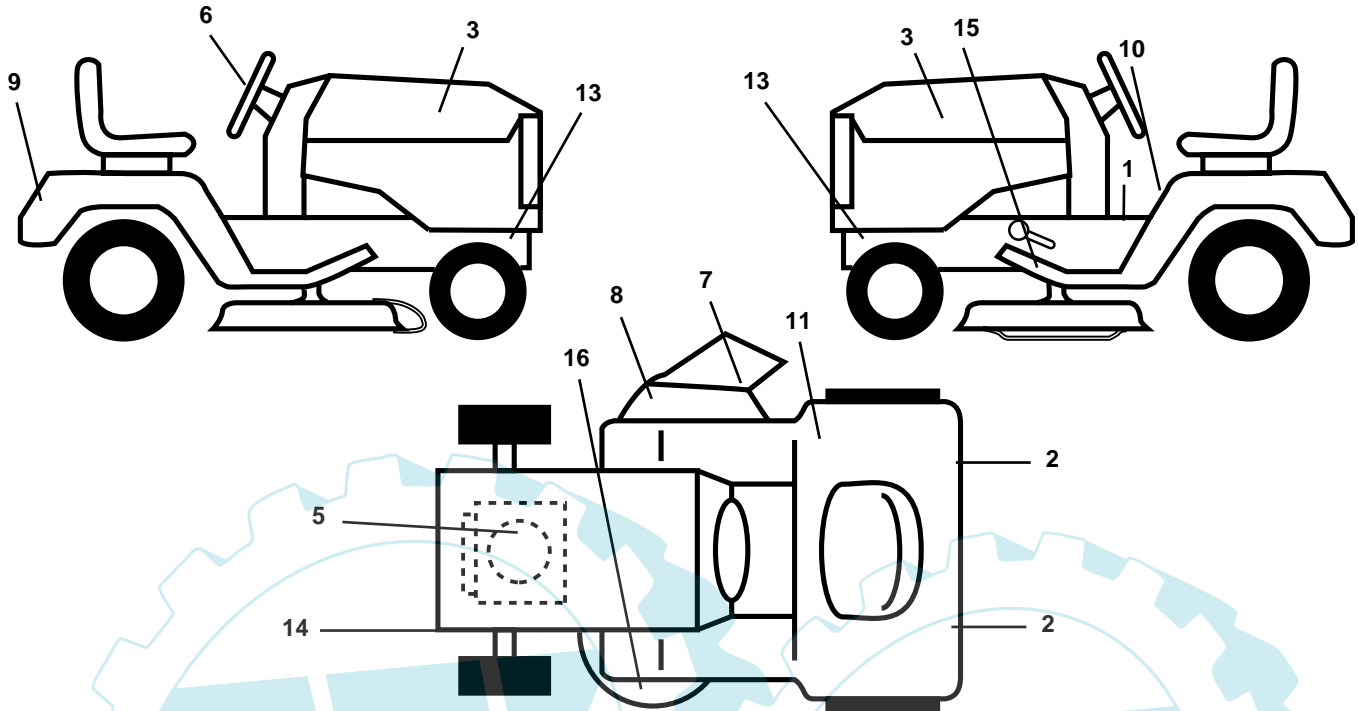
KEY NO.	PART NO.	DESCRIPTION
1	532 18 87-05	Seat
2	532 18 01-66	Bracket Pivot Seat
3	871 11 06-16	Bolt Fin Hex 3/8-16unc X 1
4	819 13 16-10	Washer 13/32 X 1 X 10 Ga
5	532 14 50-06	Clip Push-In
6	873 80 06-00	Nut Hex w/Ins. 3/8-16 Unc
7	532 12 41-81	Spring Seat Cprsn 2 250 Blk Zi
8	817 00 06-16	Screw 3/8-16 X 1
9	819 13 16-14	Washer 13/32 X 1 X 14 Ga.
10	532 18 01-86	Pan Seat
11	532 16 63-69	Knob Seat
12	532 12 12-46	Bracket Mounting Switch

KEY NO.	PART NO.	DESCRIPTION
13	532 12 12-48	Bushing Snap Blk Nyl 50 Id
14	872 05 04-12	Bolt Rdhd Sqnk 1/4-20x1-1/2
15	532 13 43-00	Spacer Split
16	532 12 12-50	Spring Cprsn
17	532 12 39-76	Nut Lock 1/4 Lge Flg Gr 5 Zinc
21	532 17 18-52	Bolt Shoulder 5/16-18 Unc-2A
22	873 80 05-00	Nut Hex Lock W/Ins 5/16-18
24	819 17 19-12	Washer 17/32 X 1-3/16 X 12 Ga.

NOTE: All component dimensions given in U.S. inches.
1 inch = 25.4 mm

REPAIR PARTS

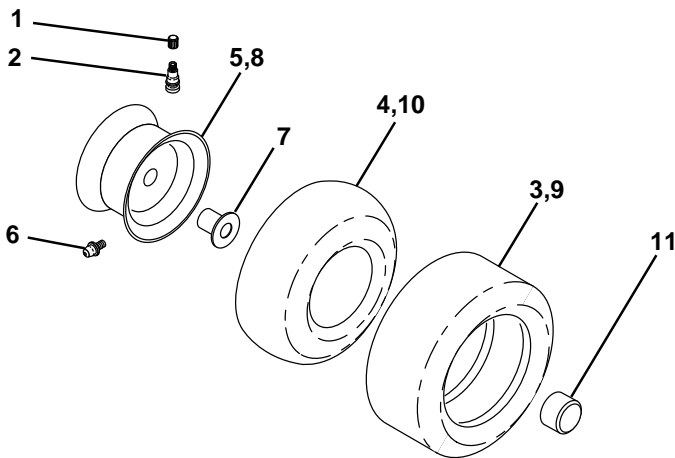
TRACTOR - MODEL NO. BL155107SBHK (BL155H107B), PRODUCT NO. 964 77 08-01
DECALS



KEY NO.	PART NO.	DESCRIPTION
1	532 14 08-37	Decal Brake Parking Saddle
2	532 10 62-02	Reflector Tail Light Red/Amber
3	532 18 96-23	Decal Hood
5	532 18 95-13	Decal Engine
6	532 18 96-49	Decal Wheel Steering
7	532 17 91-28	Decal Deck B 42
8	532 18 21-66	Decal Cutfinger
9	532 18 95-58	Decal Fender
10	532 14 54-98	Decal Read Owner's
11	532 18 04-32	Decal Fender 100DB/CE
13	532 15 97-36	Decal Chassis Muffler
14	532 16 03-96	Decal V-Belt Schematic

KEY NO.	PART NO.	DESCRIPTION
15	532 15 97-37	Decal Brake/Clutch Sym.
16	532 13 49-99	Decal Deck Enviro
--	532 13 83-11	Decal Handle Lft Height Adjust
--	532 16 69-60	Decal Bypass
--	532 18 10-90	Pad Footrest RH
--	532 18 10-91	Pad Footrest LH
--	532 16 25-98	Decal Drawbar
--	532 18 52-36	Manual Operator's Europ.

WHEELS & TIRES

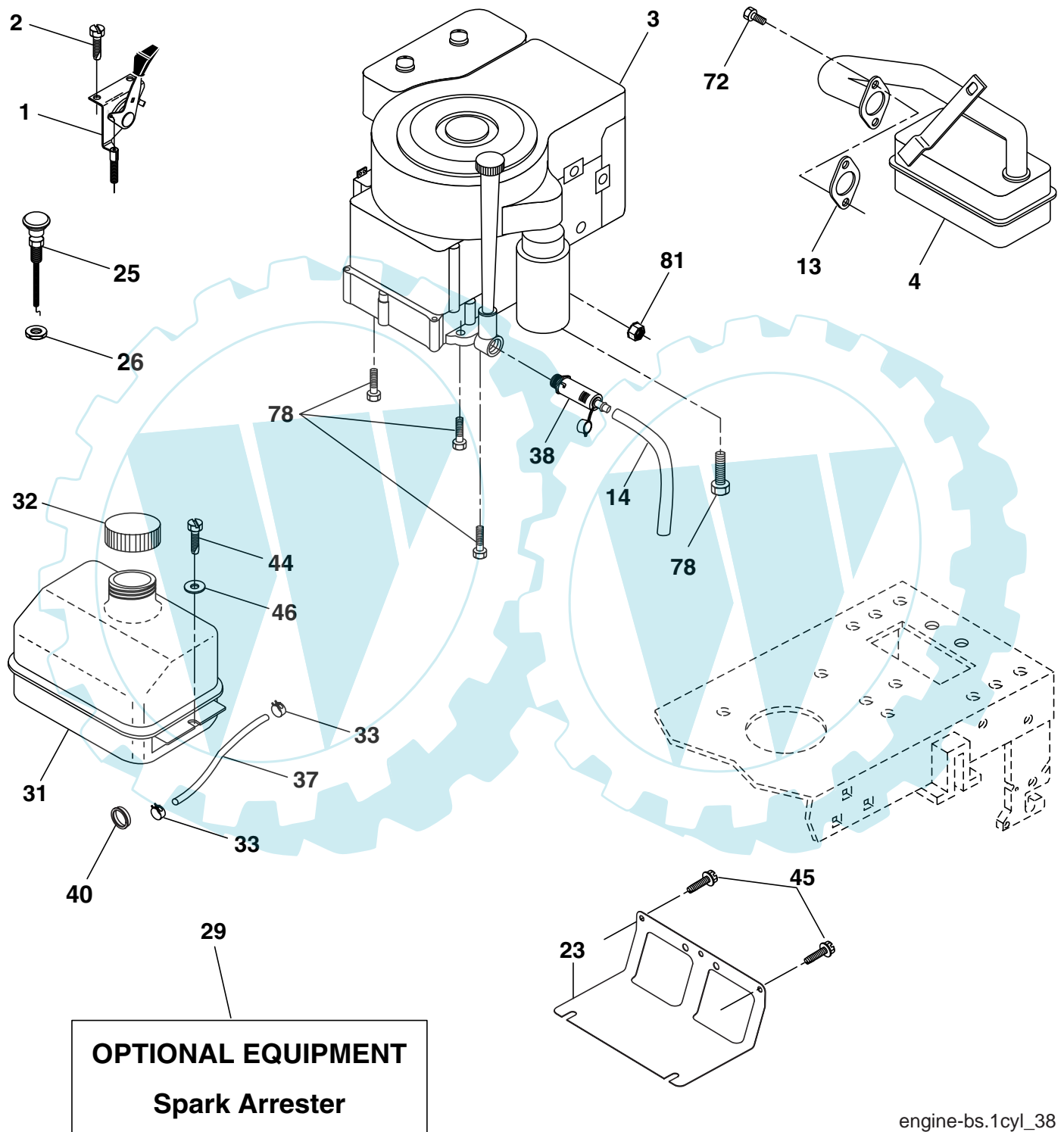


KEY NO.	PART NO.	DESCRIPTION
1	532 05 91-92	Cap Valve Tire
2	532 06 51-39	Stem Valve
3	532 10 62-22	Tire F Ts 15 X 6 0 - 6 Service
4	532 05 99-04	Tube Front (Service Item Only)
5	532 12 51-21	Rim Asm 6"front Service
6	532 12 49-57	Fitting Grease (Front Wheel Only)
7	532 12 49-59	Bearing Flange (Front Wheel Only)
8	532 12 51-22	Rim Asm 8"rear Service
9	532 10 62-68	Tire R Ts 18x9 5-8 C Service
10	532 12 49-26	Tube Rear (Service Item Only)
11	532 17 50-39	Cap Axle Blk 1 50 X 1 00
--	532 14 43-34	Sealant, Tire (10 oz. Tube)

NOTE: All component dimensions given in U.S. inches
1 inch = 25.4 mm

REPAIR PARTS

TRACTOR - MODEL NO. BL155107SBHK (BL155H107B), PRODUCT NO. 964 77 08-01
ENGINE



engine-bs.1cyl_38

REPAIR PARTS

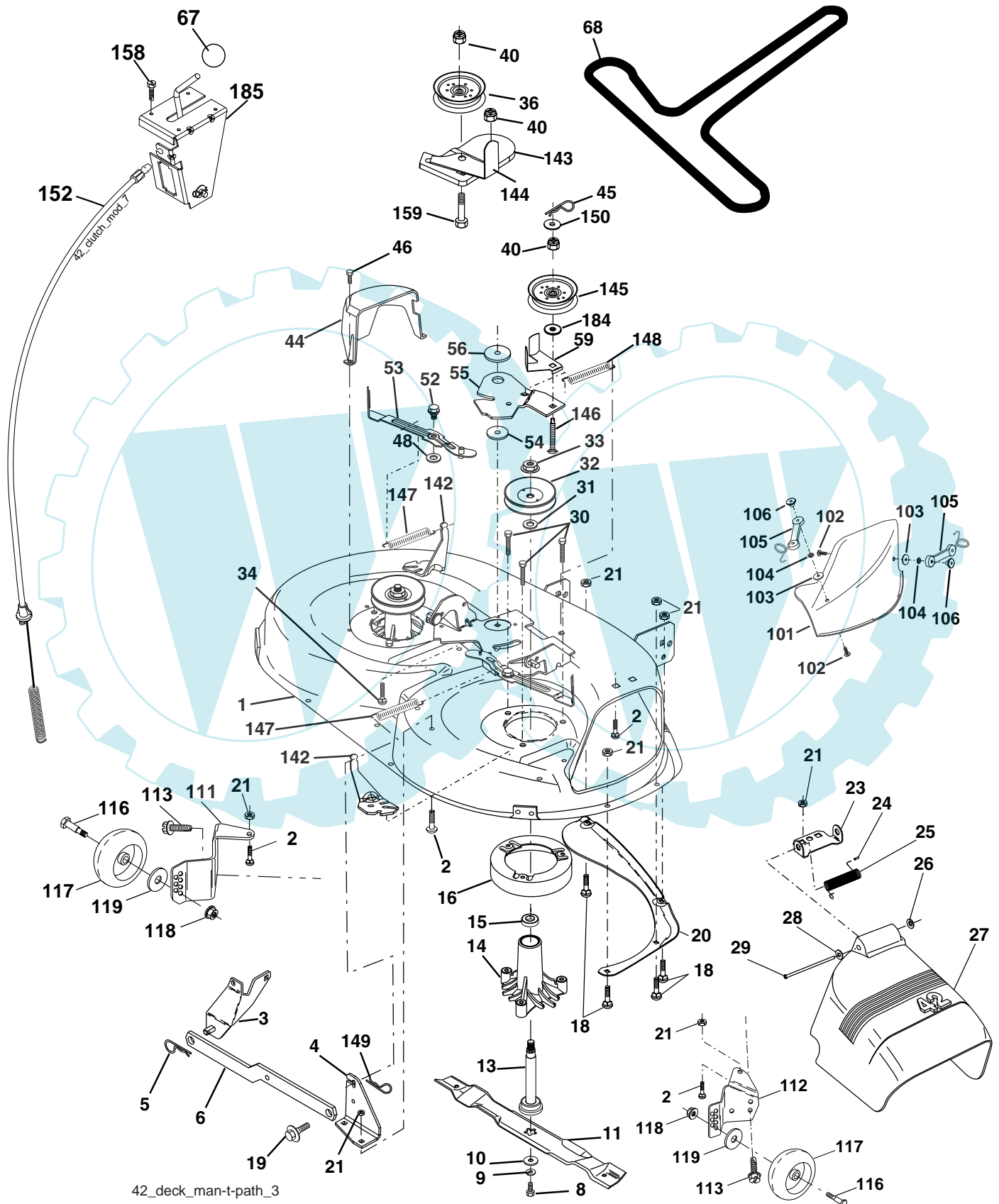
TRACTOR - MODEL NO. BL155107SBHK (BL155H107B), PRODUCT NO. 964 77 08-01
ENGINE

KEY NO.	PART NO.	DESCRIPTION
1	532 17 05-51	Control Th/ch Flag
2	817 72 04-08	Screw Hex Thd Cut 1/4-20 x 1/2
3	-----	Engine Briggs & Stratton 31G777 (Order Parts From Engine Manufacturer)
4	532 13 73-52	Muffler LT B&S 12/12.5/13HP
13	532 16 52-91	Gasket Eng 1 313 Id Tin Plated
14	532 14 84-56	Tube Drain Oil Easy
23	532 16 98-37	Shield Brn/Dbr Guard
25	532 18 09-45	Control Choke 1 Cyl. 02
26	873 92 06-00	Nut Keps 3/8-24 Unf
29	532 13 71-80	Kit Spark Arrestor (Flat Scrn)
31	532 18 49-00	Tank Fuel Front
32	532 14 05-27	Cap Asm Fuel W/sym Vented
33	532 12 34-87	Clamp Hose Black
37	532 13 70-40	Line Fuel 20"
38	532 18 16-54	Plug Drain Oil Easy
40	532 12 40-28	Bushing Snap Nyl Blk Fuel Line
44	817 67 04-12	Screw Hexwsh Thdrol 1/4-20x3/4
45	817 00 06-12	Screw Hex Wsh Thdrol 3/8-16 x 3/4
46	819 09 14-16	Washer 9/32 X 7/8 X 16 Ga
72	532 18 39-06	Screw Socket Head 5/16-18 x 1
78	817 06 06-20	Screw 3/8-16x1-1/4
81	873 51 04-00	Nut 1/4-20

NOTE: All component dimensions given in U.S. inches.
1 inch = 25.4 mm.

REPAIR PARTS

TRACTOR - MODEL NO. BL155107SBHK (BL155H107B), PRODUCT NO. 964 77 08-01
MOWER DECK



42_deck_man-t-path_3

REPAIR PARTS

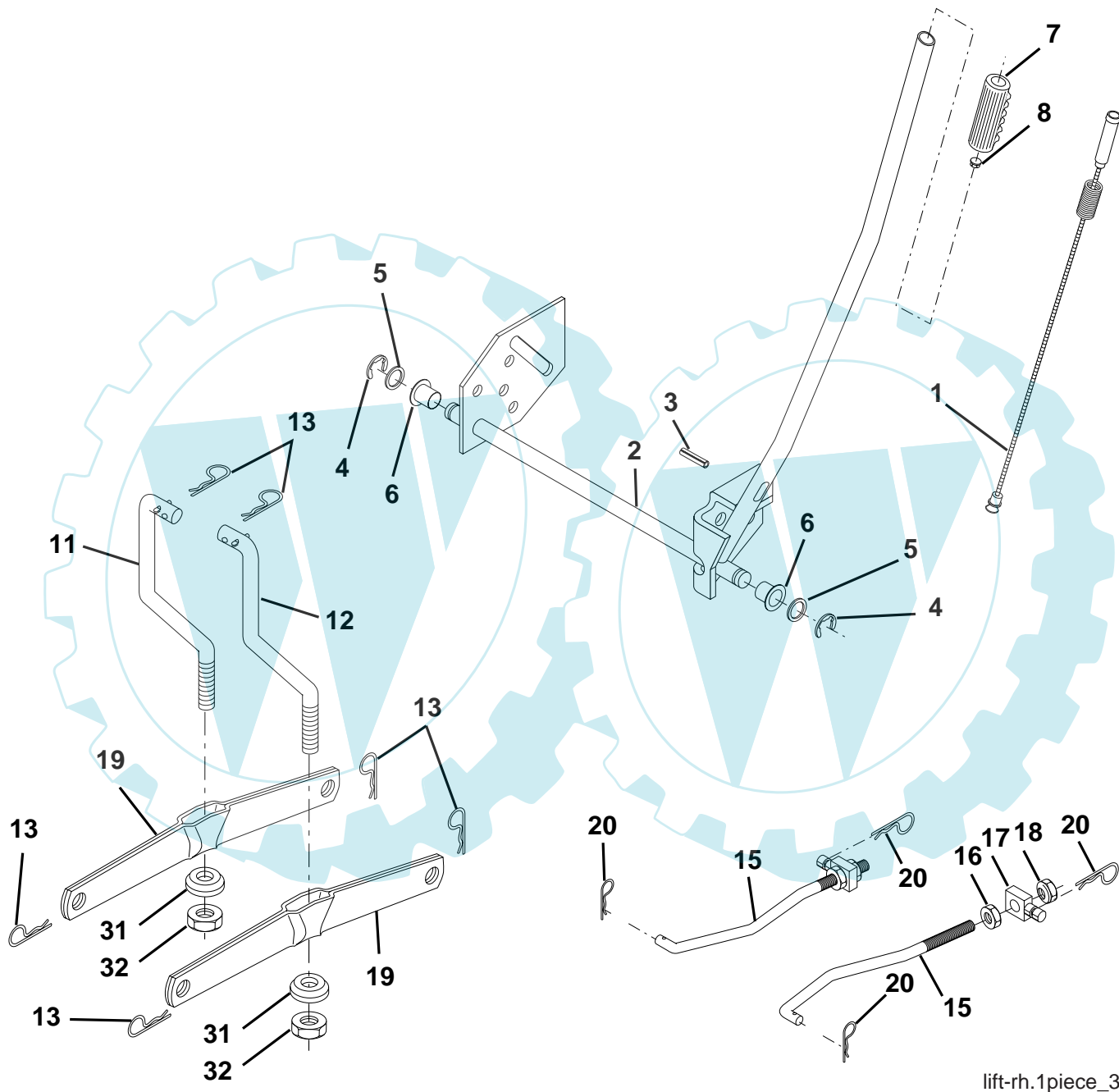
TRACTOR - MODEL NO. BL155107SBHK (BL155H107B), PRODUCT NO. 964 77 08-01
MOWER DECK

KEY NO.	PART NO.	DESCRIPTION	KEY NO.	PART NO.	DESCRIPTION
1	532 16 58-92	Deck Asm MWR 42"weldment	101	532 13 64-20	Cover Mulch 42"
2	872 14 05-06	Bolt Rdhd Sqnk 5/16-18 unc x 3/4	102	871 08 10-10	Screw Pan Head Phillip 10-24 x 5/8
3	532 13 80-17	Bracket Asm Fr Sway Bar 38/42	103	819 06 12-16	Washer #10
4	532 16 54-60	Bracket Asm Deck 42"sway Bar	104	810 07 10-00	Washer Lock #10
5	532 12 46-70	Retainer Spring	105	532 16 07-93	Latch Asm. Mulch
6	532 17 80-24	Deck Sway Bar	106	532 12 50-04	Nut Weld #10-24
8	532 85 08-57	Bolt 3/8 - 24 x 1.25 Gr. 8	111	532 17 92-92	Bracket Wheel Gauge LH 42" Deck
9	810 03 06-00	Washer Lock Hvy 3/8	112	532 17 92-93	Bracket Gauge Wheel RH 42" Deck
10	532 14 02-96	Washer Hard Blade Mower Vented	113	817 00 05-10	Screw Tapping 3/8-16 x .625
11	532 13 41-49	Blade Mower 42"	116	532 12 48-42	Bolt Shoulder
13	532 13 76-45	Shaft Asm W/lower Bearing	117	532 16 57-46	Wheel Gauge
14	532 12 87-74	Housing Mandrel Vented	118	873 93 06-00	Nut Centerlock 3/8-16 UNC
15	532 11 04-85	Bearing Ball Mandrel	119	819 12 14-14	Washer 3/8 x 7/8 x 14 Ga.
16	532 17 44-93	Stripper Mower	142	532 16 58-90	Arm Spring Brake Mower
18	872 14 05-05	Bolt Rdhd Sqnk 5/16-18 X 5/8	143	532 15 71-09	Bracket Arm Idler 42"
19	532 13 28-27	Bolt Shoulder	144	532 15 86-34	Keeper Belt 42" Clutch
20	532 15 97-70	Baffle Vortex 42	145	532 16 58-88	Pulley Idler Flat
21	873 68 05-00	Nut Crownlock 5/16-18 unc	146	532 17 19-77	Bolt Carriage Idler
23	532 17 75-63	Bracket Deflector Mower 42"	147	532 17 97-48	Spring Extension
24	532 10 53-04	Cap Sleeve 80x 112 Blk Mower	148	532 16 90-22	Spring Return Idler
25	532 12 37-13	Spring Torsion Deflector 2 52	149	532 16 58-98	Retainer Spring Yellow
26	532 11 04-52	Nut Push Phos & Oil	150	819 09 12-10	Washer 9/32 x 3/4 x 10 Ga.
27	532 17 18-59	Shield Deflector Mower 42" Blk	152	532 18 15-55	Clutch Cable 42"
28	819 11 10-16	Washer 11/32 X 5/8 X 16 Ga.	158	817 72 04-08	Screw Hex Thd Cut 1/4-20 x 1/2
29	532 13 14-91	Rod Hinge 42" 6 75 Wlg	159	872 14 06-14	Bolt Rdhd Sqn 3/8-16 Unc x 1-3/4
30	532 17 39-84	Screw Thd Rolling	184	819 13 14-10	Washer 13/32 x 7/8 x 10 Ga.
31	532 18 76-90	Washer Spacer	185	532 18 82-34	Head Asm. Cable Clutch
32	532 15 35-35	Pulley Mandrel 42"	--	532 13 07-94	Mandrel Assembly(Includes Housing, Shaft and Shaft Hardware Only-Pulley not Included)
33	532 17 83-42	Nut Toplock Fling	--	532 18 12-81	Replacement Mower, Complete (order separately mulch cover and gauge wheel components key numbers 101-106 and 116-119)
34	872 11 06-12	Bolt Rdhd 3/8-16 unc x1-1/2 Gr. 5			
36	532 13 14-94	Pulley Idler Flat 3 060			
37	819 13 13-16	Washer 13/32 x 13/16 x 16			
40	873 90 06-00	Nut lock Flg 3/8-16 unc			
44	532 14 00-88	Guard Mandrel LH Black			
45	532 12 47-88	Spring Retainer 1" Zinc/cad			
46	532 13 77-29	Screw Hex Thd Cut 1/4-20 x 5/8 T			
48	532 13 39-44	Washer Hardened Smaller			
52	532 13 98-88	Bolt Shoulder 5/16-18 unc Blkz			
53	532 18 49-07	Arm Asm Pad Brake			
54	532 17 85-15	Washer Hardened			
55	532 15 50-46	Arm Idler 42"mower LT/YT			
56	532 16 57-23	Spacer Retainer Mower			
59	532 14 10-43	Guard TUV Idler			
67	532 10 69-32	Knob Rd 3/8-16 Plstc Thds Blk			
68	532 18 02-15	V-Belt Mower 42"			

NOTE: All component dimensions given in U.S. inches
1 inch = 25.4 mm

REPAIR PARTS

TRACTOR - MODEL NO. BL155107SBHK (BL155H107B), PRODUCT NO. 964 77 08-01
MOWER LIFT



REPAIR PARTS

TRACTOR - MODEL NO. BL155107SBHK (BL155H107B), PRODUCT NO. 964 77 08-01
MOWER LIFT

KEY NO.	PART NO.	DESCRIPTION
1	532 15 94-61	Wire Asm Inner W/plunger
2	532 15 94-76	Shaft Asm Lift
3	532 17 89-81	Pin Groove
4	812 00 00-02	E Ring #5133-62
5	819 21 16-21	Washer PLTD 21/32 X 1 X 21ga
6	532 12 01-83	Bearing Nylon Blk 629 Id
7	532 10 94-13	Grip Handle Bicycle
8	532 12 45-26	Button Plunger Black
11	532 13 98-65	Link Lift LH
12	532 13 98-66	Link Lift RH
13	532 12 46-70	Retainer Spring
15	532 17 32-88	Link Front
16	873 35 08-00	Nut Jam Hex 1/2-13 Unc
17	532 17 56-89	Trunnion
18	873 80 08-00	Nut Lock W/Wsh 1/2-13 Unc
19	532 13 98-68	Arm Suspension Rear
20	532 16 35-52	Spring, Retainer
31	532 16 98-65	Bearing Pvt. Lift
32	873 54 06-00	Nut Crownlock 3/8-24

NOTE: All component dimensions given in U.S. inches
1 inch = 25.4 mm